

Torpedo Script Form

AFL Sports Wheelchair 90851 - 90851T



To Order Fill in the frame dimensions and features required. For variations describe in detail on a separate page. If you have any further questions contact us at the address at the bottom of the page.

SEND FORM
If online, click here to send via e-mail

Date _____ Delivery details _____

Name _____

Address _____

Phone _____

Fax / Cell _____

Email _____

Required by _____
(Delivery is normally 6 weeks from order confirmation)

Disability _____ Grading _____ Weight _____ Height _____ Shoe Size _____ T-Shirt Size _____

MEASUREMENTS (Refer to diagrams)

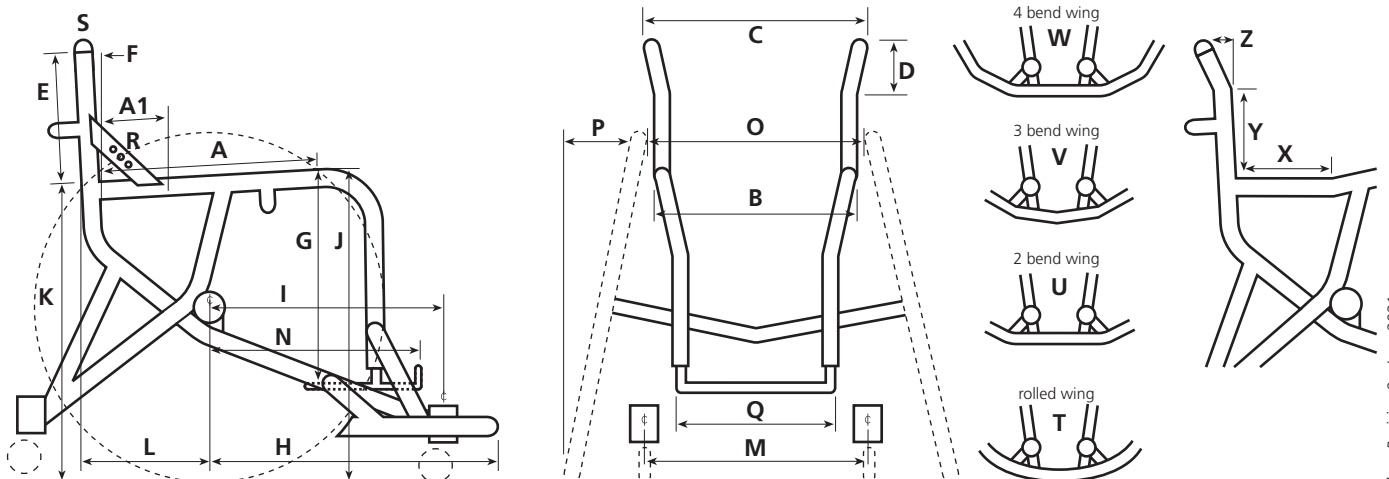
Frame Materials

Aluminium (std) Titanium 90851T

Seat Width - Rear _____	F Back Angle° _____	M Pivot Centres _____	WING BAR
Seat Width - Front _____	G Seat to Footplate _____	N Footplate Position _____	T <input type="checkbox"/> U <input type="checkbox"/> V <input type="checkbox"/> W <input type="checkbox"/>
A1 Seat Taper starts _____	G <input type="checkbox"/> Seat to Footplate fixed position _____	O Between Wheels _____	ERGO SEAT AD10220 (A) AD10221 (T)
A Seat Length _____	H Frame Length (centre of camber bar to front of wing bar) _____	P Camber _____	X Ergo Seat - Length _____
B Back Width _____	I Wheel Base (centre of camber bar to centre of pivot) _____	Q Footplate Width _____	Y Ergo Back - Height _____
C Back Splay - Top _____	J Seat to Floor - Front _____	R BINDING MOUNTS	Z Ergo Back - Angle _____
D Back Splay - Length _____	K Seat to Floor - Rear _____	<input type="checkbox"/> Std <input type="checkbox"/> Custom AD20315 (A) AD20318 (T)	AXLE RECEIVERS (Interchangeable)
E Back Height _____	L Balance Point _____	S <input type="checkbox"/> Flexible Backpost Cap AD20310 (fixed back height only)	<input type="checkbox"/> 1/2" Std <input type="checkbox"/> 5/8" AD12550

ADDITIONAL NOTES

(you can type here)



Torpedo Script Form

AFL Sports Wheelchair

Name _____

FOOTPLATE

- Alloy tube footplate (std) Alloy footplate cover **AD11690**

ANTI-TIPS

- Twin swivel **AD15150 (A)** **AD15150 (T)** Single swivel **AD15100 (A)** **AD15102 (T)**

BEARINGS

- Standard bearings Melrose hybrid ceramic bearings **AD20400**

CASTORS

- Rollerblade (std) Other _____

UPHOLSTERY

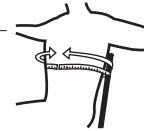
- Seat sling fixed (std) Fixed width back (std) No cushion Cushion 3" **AD16203**
 Seat sling wrap-around Adjustable back upholstery with Cushion 1" **AD16201** Cushion 1" (high density) **AD16221**
 Solid seat **AD18030** adjustable width/height **AD16050** Cushion 2" **AD16202** Cushion 2" (high density) **AD16220**

SKIRT GUARDS

- No skirt guards Fabric skirt guards **AD16100** Alloy skirt guards **AD16125 (A)** **AD16130 (T)** (height) _____
(welded to alloy frame, bolted to titanium frame)
 ABS rigid skirt guards **AD16111** (height) _____ Titanium skirt guards **AD16126** (height) _____
(titanium frame option only)

STRAPS, IMPACT GUARDS

- Front hanger covers **AD16400** Hip strap - webbing **AD16510** Leg strap **AD16330**
 Back bar cover **AD16420** Hip strap - ratchet **AD16550** Chest strap **AD45210**
(measure around your chest and seat back)
 Foot strap - webbing (std) Foot strap - ratchet **AD16350**
 Knee strap - ratchet **AD16351**

**ACCESSORIES**

- Wheel bag (black with choice of trim colour) **AD16780** (Choose your trim colour) **Bk R Bl Y Gr Pk Pu** Custom Wheel Bag **AD16781**
(describe below)
 Extra axles (quantity) _____
 Gloves _____
(style and size)

ADDITIONAL NOTES

(you can type here)

Torpedo Script Form

AFL Sports Wheelchair

Name _____

WHEELS**24"**

- Spoked Wheels (std)
- Spinergy SL Wheels 1/2" axle (24 spoke, black spokes only) **AD13410**
- Spinergy SLX Wheels 1/2" axle (24 spoke, black spokes only) **AD13420**
- Spinergy SLX Wheels 5/8" axle (24 spoke) **AD13430**

25"

- Spoked Wheels **AD13060**
- Spinergy SL Wheels 1/2" axle (24 spoke, black spokes only) **AD13410**
- Spinergy SLX Wheels 1/2" axle (24 spoke, black spokes only) **AD13420**
- Spinergy SLX Wheels 5/8" axle (24 spoke) **AD13430**

26"

- Spoked Wheels **AD13060**
- Spinergy SL Wheels 1/2" axle (24 spoke, black spokes only) **AD13410**
- Spinergy SLX Wheels 1/2" axle (24 spoke, black spokes only) **AD13420**
- Spinergy SLX Wheels 5/8" axle (24 spoke) **AD13430**

27"

- Spoked Wheels **AD13060**
- Spinergy SL Wheels 1/2" axle (24 spoke, black spokes only) **AD13410**
- Spinergy SLX Wheels 1/2" axle (24 spoke, black spokes only) **AD13420**
- Spinergy SLX Wheels 5/8" axle (24 spoke) **AD13430**

TYRES**24"**

- Kenda Ironcap Blue (std)
- Kenda Konstrictor (std)
- Schwalbe Right Run **AD13740**
- Tufo Tubeless **AD13760**

25"

- Kenda Ironcap Blue (std)
- Kenda Konstrictor (std)
- Kenda Kaliente **AD13721**
- Schwalbe Right Run **AD13740**
- Tufo Tubeless **AD13760**

26"

- Kenda Ironcap Blue (std)
- Schwalbe Right Run **AD13740**
- Tufo Tubeless **AD13760**

27"

- 27" x 1" Kenda Ironcap Blue (std)
- Tufo Tubeless **AD13760**

PUSHRIMS

- Anodised alloy (std) Rubber coated (red) **AD13845**

PUSHRIMS - POSITION

- Standard In close Onto rim

SPOKE GUARDS

- Nil Pair of Spoke guards **AD13920**

SPARE WHEELS as above

- Spoked Wheel 24" **AD13507** (quantity) _____
- Spoked Wheel 25"/26"/27" **AD13561** (quantity) _____
- Spinergy SL Wheel **AD13641** (quantity) _____
- Spinergy SLX Wheel 1/2" axle **AD13651** (quantity) _____

TYRES, TUBES and AXLES on SPARE WHEELS

- Tube fitted **AD13695** (quantity) _____
- Kenda Tyre fitted **AD13701** (quantity) _____
- Schwalbe Tyre fitted **AD13741** (quantity) _____
- Tufo Tyre fitted **AD13760** (quantity) _____
- Axle 1/2" **AD12508** (quantity) _____

SPOKE GUARDS for SPARE WHEELS as above

- Fitted to spare wheel Not fitted to spare wheel
- Spoke Guard **AD13921** (quantity) _____

PUSHRIMS for SPARE WHEELS as above

- Anodised alloy (std) _____
- Rubber coated (red) **AD13846** _____

EXTRA AXLES

- Axles 1/2" **AD12514** (quantity) _____
- Axles 5/8" **AD12516** (quantity) _____

EXTRA BEARINGS

- Steel 608 5/16" **AD20402** (quantity) _____
- Steel R8 1/2" **AD20405** (quantity) _____
- Ceramic 608 5/16" **AD20403** (quantity) _____
- Ceramic R8 1/2" **AD20407** (quantity) _____

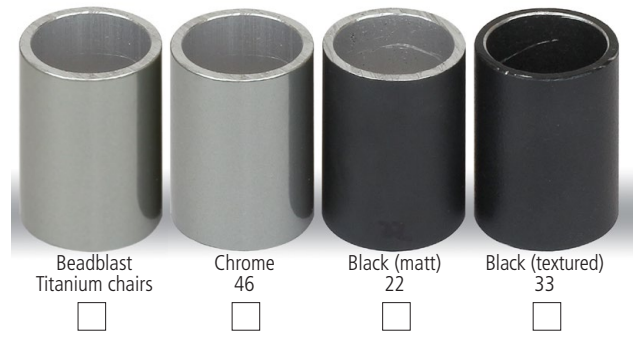
Name _____

ATTENTION

THIS IS A GUIDE TO COLOURS ONLY, how colours appear on your monitor or when printed out may vary.

Talk to us if you want your Titanium frame coloured or polished. *Colour availability is subject to change without notice.*

STANDARD & ENABLE CLIENT COLOURS



GLASS COLOURS



CANDY COLOURS



CANDY COLOURS (SPECIAL)



FLUORESCENT COLOURS



Torpedo - Revision 2 - June 2021