

Shower Chair Script Form

Shower / Commode Wheelchair 90805



To Order Fill in the frame dimensions and features required. For variations describe in detail on a separate page. If you have any further questions contact us at the address at the bottom of the page.

SEND FORM
If online, click here to send via e-mail

Date _____

Name _____

Address _____

Phone _____

Fax / Cell _____

Email _____

Delivery details _____

Therapist details _____

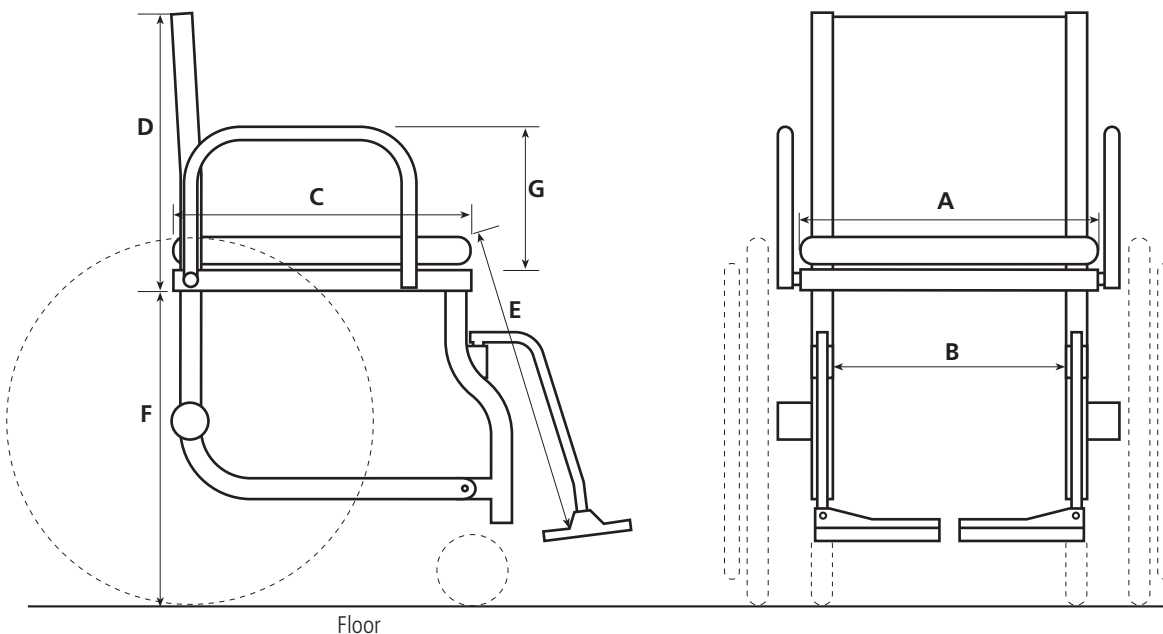
Required by _____
(Delivery is normally 4-6 weeks from order confirmation)

Disability _____ Grading _____ Weight _____ Height _____ Shoe Size _____ T-Shirt Size _____

MEASUREMENTS (Refer to diagram below)

A Seat Width std 17" _____	E Seat to Footplate _____	Rear Wheels std 20" _____
B Internal Frame Width std 13.5" _____	F Seat to Floor std 20" _____ <small>(from seat frame base)</small>	Seat Frame Cut-Out: <input type="checkbox"/> Front (std) <input type="checkbox"/> Rear <input type="checkbox"/> Left <input type="checkbox"/> Right
C Seat Length std 17" _____	G Armrests std 8.5" _____	<input type="checkbox"/> Custom Frame AD18043 <small>(specify new measurements: widths, length, etc.)</small>
D Back Height std 16" _____	Castors std 5" _____	

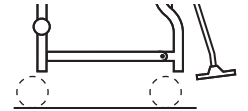
ADDITIONAL NOTES (you can type here)



Shower Chair Script Form

Shower / Commode Wheelchair

Name _____

CASTORS 5" Braked 5" Unbraked**BRAKES** Push to Lock (alloy) - seat rail mounted Pull to Lock (stainless steel) - seat rail mounted Push to Lock (alloy) - bottom frame mounted Pull to Lock (stainless steel) - rear mounted on back posts**WHEELS** Standard Composite Wheels 20" Standard Cross Spoked Wheels 20" Other _____**TYRES** Solid Pneumatic**PUSHRIMS** Nil Hard Anodised only (std)**PUSHRIMS POSITION** In Close Onto Rim**SEAT** Padded Toilet Seat (std) Custom Seat **AD18043****BAG** Carry Bag for Chair (std) Carry Bag with Wheels **AD16797****TRANSIT OPTION** 2 Fixed Rear Castors replacing 20" Wheels **AD18045** 2 Fixed Rear Castors as well as 20" Wheels **AD18044****COLOUR** Silver Sparkle only**ADDITIONAL NOTES**

(you can type here)