

# Gazelle Script Form

## Tennis Sports Wheelchair

90825



**To Order** Fill in the frame dimensions and features required. For variations describe in detail on a separate page. If you have any further questions contact us at the address at the bottom of the page.

**SEND FORM**  
If online, click here to send via e-mail

Date \_\_\_\_\_ Delivery details \_\_\_\_\_

Name \_\_\_\_\_

Address \_\_\_\_\_

Phone \_\_\_\_\_

Fax / Cell \_\_\_\_\_

Email \_\_\_\_\_

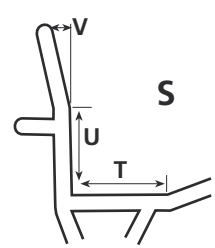
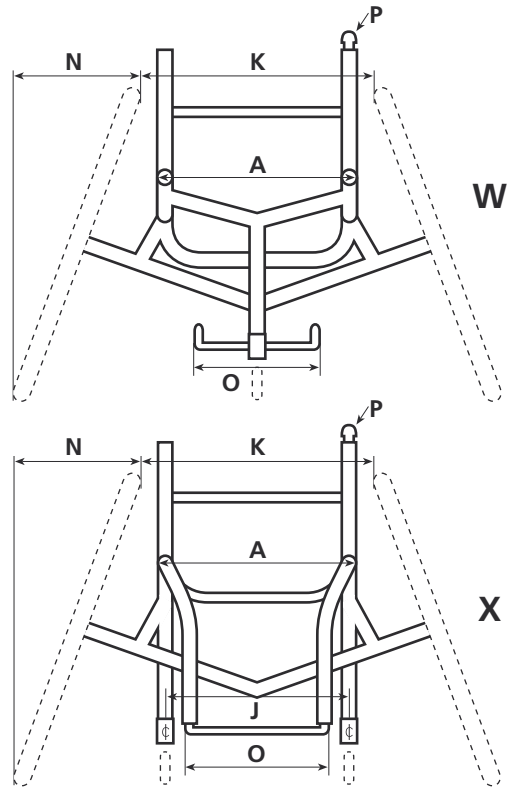
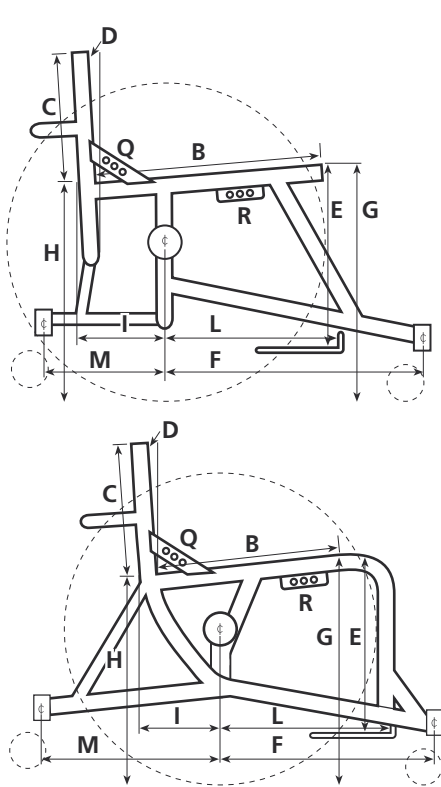
Required by \_\_\_\_\_  
(Delivery is normally 4-6 weeks from order confirmation)

Disability \_\_\_\_\_ Grading \_\_\_\_\_ Weight \_\_\_\_\_ Height \_\_\_\_\_ Shoe Size \_\_\_\_\_ T-Shirt Size \_\_\_\_\_

### MEASUREMENTS (Refer to diagrams)

**FRAME MATERIALS**  Aluminium (std)  Titanium 90825T

- |                                   |  |  |  |
|-----------------------------------|--|--|--|
| <b>A</b> Seat Width - Rear _____  | <b>F</b> Wheelbase<br>(centre of camber bar to centre of castor pivot) _____ | <b>M</b> Anti-Tip Position _____   | <b>R</b> <input type="checkbox"/> Binding Mounts<br>(seat rail mounted) <b>AD20315 (A)</b><br><b>AD20318 (T)</b> |
| <b>A</b> Seat Width - Front _____ | <b>G</b> Seat to Floor - Front _____   | <b>N</b> Camber _____  | <b>S</b> <input type="checkbox"/> Ergo Seat <b>AD10220 (A)</b><br><b>AD10221 (T)</b>                             |
| <b>A</b> Back Width _____         | <b>H</b> Seat to Floor - Rear _____  | <b>O</b> Foot-plate Width _____  | <b>T</b> Ergo Seat - Length _____  |
| <b>B</b> Seat Length _____        | <b>I</b> Balance Point _____   |  | <b>U</b> Ergo Back - Height _____  |
| <b>C</b> Back Height _____        | <b>J</b> Pivot Centres _____   |  | <b>V</b> Ergo Back - Angle _____   |
| <b>D</b> Back Angle° _____        | <b>K</b> Between Wheels _____  | <b>P</b> <input type="checkbox"/> Flexible Backpost Cap <b>AD20310</b><br>(fixed back height only) | <b>STYLE</b>   |
| <b>E</b> Seat to Foot-plate _____ | <b>L</b> Foot-plate Position _____   | <b>Q</b> <input type="checkbox"/> Binding Mounts _____   | <b>W</b> <input type="checkbox"/> 3 wheel (excluding anti-tips)  |
|                                   |  |  | <b>X</b> <input type="checkbox"/> 4 wheel  |



# Gazelle Script Form

## Tennis Sports Wheelchair

Name \_\_\_\_\_

**FOOTPLATE**

- No footplate     
  Alloy tube footplate (std)     
  Alloy footplate cover **AD11690**     
  Angle adj footplate **AD11520**

**ANTI-TIPS**

- Single swivel **AD15100 (A)**  
**AD15102 (T)**     
  Twin swivel **AD15150 (A)**  
**AD15151 (T)**     
  Single swivel custom height adjustable **AD15101**

**BEARINGS**

- Standard bearings     
  Melrose hybrid ceramic bearings **AD20400**

**CASTORS**

- Rollerblade 72mm     
  Rollerblade 76mm     
  Rollerblade 80mm     
  Other \_\_\_\_\_

**UPHOLSTERY**

- Seat sling (std)     
  Fixed width back (std)     
  No cushion     
  Cushion 3" **AD16203**  
 Seat sling wrap-around     
  Adjustable back upholstery     
  Cushion 1" **AD16201**     
  Cushion 1" (high density) **AD16221**  
 Solid seat **AD18030**     
 adjustable width/height **AD16050**     
 Cushion 2" **AD16202**     
 Cushion 2" (high density) **AD16220**

**SKIRT GUARDS**

- No skirt guards     
  Fabric skirt guards **AD16100**     
 Alloy skirt guards **AD16125 (A)**  
**AD16130 (T)** (height) \_\_\_\_\_  
(welded to alloy frame, bolted to titanium frame)  
 ABS rigid skirt guards **AD16111** (height) \_\_\_\_\_

**STRAPS, IMPACT GUARDS**

- Front hanger covers **AD16400**     
 Hip strap - webbing **AD16510**     
 Knee - ratchet **AD16351**  
 Back bar cover **AD16420**     
 Hip strap - ratchet **AD16550**     
 Leg strap **AD16330**  
 Foot strap - webbing (std)     
 Chest strap **AD45210**  
(measure around your chest and seat back)  
 Foot strap - ratchet **AD16350**

**ACCESSORIES**

- Wheel bag (black with choice of trim colour) **AD16780** (Choose your trim colour) **Bk R Bl Y Gr Pk Pu**     
 Custom Wheel Bag **AD16781**  
(describe below)

**ADDITIONAL NOTES**

(you can type here)

# Gazelle Script Form

## Tennis Sports Wheelchair

Name \_\_\_\_\_

**WHEELS****TYRES****24"**

- Spoked Wheels (std)
- Spinergy SL Wheels (24 spoke, black spokes only) **AD13410**
- Spinergy SLX Wheels (24 spoke, black spokes only) **AD13420**

**24"**

- 24" x 1" Kenda Ironcap Blue (std)
- 24" x 1" Kenda Konstrictor (std)
- 24" x 1" Schwalbe Right Run **AD13740**

**25"**

- Spoked Wheels **AD13060**
- Spinergy SL Wheels (24 spoke, black spokes only) **AD13410**
- Spinergy SLX Wheels (24 spoke, black spokes only) **AD13420**

**25"**

- 25" x 1" Kenda Ironcap Blue (std)
- 25" x 1" Kenda Konstrictor (std)
- 25" x 1" Kenda Kaliente **AD13721**
- 25" x 1" Schwalbe Right Run **AD13740**

**26"**

- Spoked Wheels **AD13060**
- Spinergy SL Wheels (24 spoke, black spokes only) **AD13410**
- Spinergy SLX Wheels (24 spoke, black spokes only) **AD13420**

**26"**

- 26" x 1" Kenda Ironcap Blue (std)
- 26" x 1" Schwalbe Right Run **AD13740**

**PUSH-RIMS**

- Anodised alloy (std)       Rubber coated (red) **AD13845**       Vinyl coated **AD13830**

**PUSH-RIMS - POSITION**

- Standard       In close       Onto rim

**SPARE WHEELS as above**

- Spoked Wheel 24" **AD13507** (quantity) \_\_\_\_\_
- Spoked Wheel 25"/26" **AD13561** (quantity) \_\_\_\_\_
- Spinergy SL Wheel **AD13641** (quantity) \_\_\_\_\_
- Spinergy SLX Wheel 1/2" axle **AD13651** (quantity) \_\_\_\_\_

**TYRES, TUBES and AXLES on SPARE WHEELS**

- Tube fitted **AD13695** (quantity) \_\_\_\_\_
- Kenda Tyre fitted **AD13701** (quantity) \_\_\_\_\_
- Schwalbe Tyre fitted **AD13741** (quantity) \_\_\_\_\_
- Axle 1/2" **AD12508** (quantity) \_\_\_\_\_

**PUSH RIMS for SPARE WHEELS as above**

- Push-Rim Anodised **AD13858** (quantity) \_\_\_\_\_
- Push-Rim Rubber Coated (Red) **AD13846** (quantity) \_\_\_\_\_
- Push-Rim Vinyl Coated **AD99999** (quantity) \_\_\_\_\_

**EXTRA AXLES**

- Axles 1/2" **AD12514** (quantity) \_\_\_\_\_

**EXTRA BEARINGS**

- Steel R8 1/2" **AD20405** (quantity) \_\_\_\_\_
- Ceramic R8 1/2" **AD20407** (quantity) \_\_\_\_\_

**ADDITIONAL NOTES**

(you can type here)

Name \_\_\_\_\_

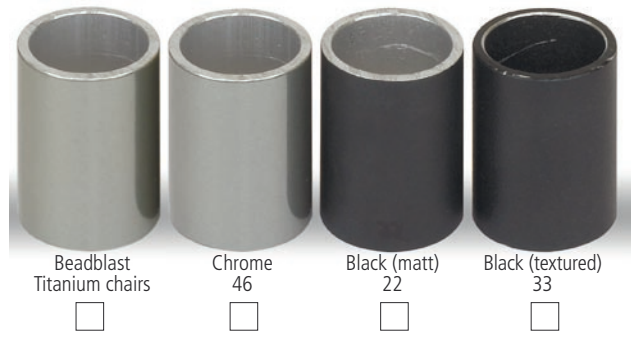
**ATTENTION**

**THIS IS A GUIDE TO COLOURS ONLY, how colours appear on your monitor or when printed out may vary.**

Talk to us if you want your Titanium frame coloured or polished.

*Colour availability is subject to change without notice.*

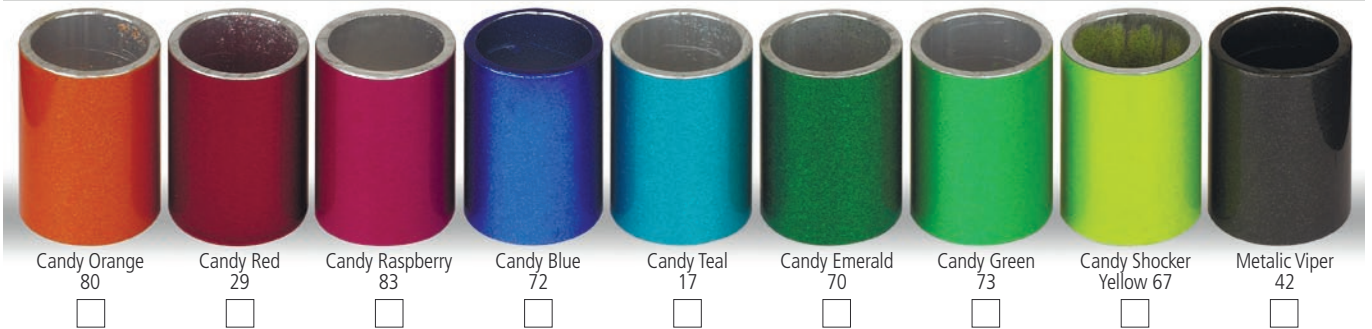
**STANDARD & ENABLE CLIENT COLOURS**



**GLASS COLOURS**



**CANDY COLOURS**



**CANDY COLOURS (SPECIAL)**



**FLUORESCENT COLOURS**

