

Gazelle Jnr Script Form

Tennis Sports Wheelchair

90826



To Order Fill in the frame dimensions and features required. For variations describe in detail on a separate page. If you have any further questions contact us at the address at the bottom of the page.

Date _____

Name _____

Address _____

Phone _____

Fax / Cell _____

Email _____

Delivery details _____

Required by _____
(Delivery is normally 4-6 weeks from order confirmation)

Disability _____ Grading _____ Weight _____ Height _____ Shoe Size _____ T-Shirt Size _____

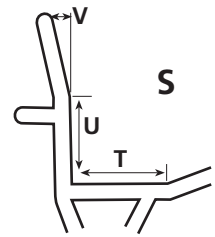
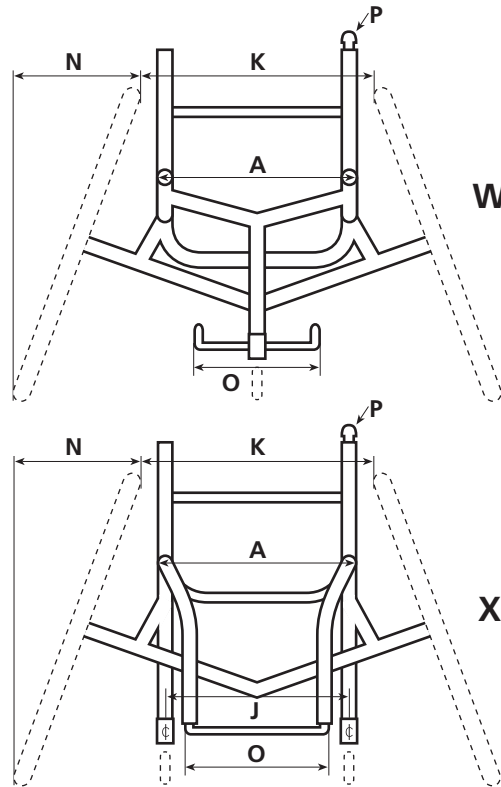
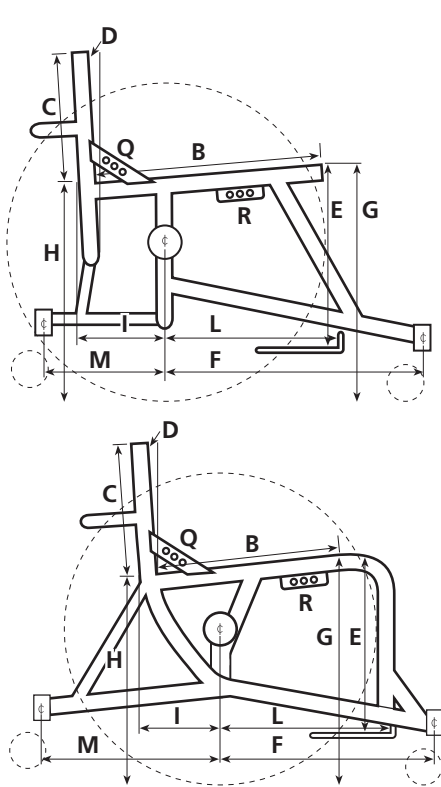
MEASUREMENTS (Refer to diagrams)

- A** Seat Width - Rear (max. seat width 16") _____
- A** Seat Width - Front (max. seat width 16") _____
- A** Back Width _____
- B** Seat Length _____
- C** Back Height _____
- D** Back Angle° _____
- E** Seat to Foot-plate _____
- F** Wheelbase (centre of camber bar to centre of castor pivot) _____
- G** Seat to Floor - Front _____
- H** Seat to Floor - Rear _____
- I** Balance Point _____
- J** Pivot Centres _____
- K** Between Wheels _____
- L** Foot-plate Position _____

FRAME MATERIALS Aluminium only (std)

- M** Anti-Tip Position _____
- N** Camber _____
- O** Foot-plate Width _____
- P** Flexible Backpost Cap AD20310
- Q** Binding Mounts (fixed back height only)
- R** Binding Mounts (seat rail mounted) AD20315
- S** Ergo Seat AD10220
- T** Ergo Seat - Length _____
- U** Ergo Back - Height _____
- V** Ergo Back - Angle _____
- STYLE**
- W** 3 wheel (excluding anti-tips)
- X** 4 wheel

IMPORTANT Foot-plate Width
When measuring across feet you must add 2" (50mm)



Gazelle Junior Script Form

Tennis Sports Wheelchair

Name _____

FOOTPLATE

- No footplate Alloy tube footplate (std) Alloy footplate cover **AD11690** Angle adj footplate **AD11520**

ANTI-TIPS

- Single swivel **AD15100** Twin swivel **AD15150** Single swivel custom height adjustable **AD15101**

BEARINGS

- Standard bearings Melrose hybrid ceramic bearings **AD20400**

CASTORS

- Rollerblade 72mm Rollerblade 76mm Rollerblade 80mm Other _____

UPHOLSTERY

- Seat sling (std) Adjustable back upholstery No cushion Cushion 3" **AD16203**
 Seat sling wrap-around adjustable width/height (std) Cushion 1" **AD16201** Cushion 1" (high density) **AD16221**
 Solid seat **AD18030** Cushion 2" **AD16202** Cushion 2" (high density) **AD16220**

SKIRT GUARDS

- No skirt guards Fabric skirt guards **AD16100** Alloy skirt guards **AD16125** (height) _____
(welded to alloy frame, bolted to titanium frame)
 ABS rigid skirt guards **AD16111** (height) _____

STRAPS, IMPACT GUARDS

- Front hanger covers **AD16400** Hip strap - webbing **AD16510** Knee - ratchet **AD16351**
 Back bar cover **AD16420** Hip strap - ratchet **AD16550** Leg strap **AD16330**
 Foot strap - webbing (std) Chest strap **AD45210**
(measure around your chest and seat back)
 Foot strap - ratchet **AD16350**

**ACCESSORIES**

- Wheel bag (black with choice of trim colour) **AD16780** (Choose your trim colour) **Bk R Bl Y Gr Pk Pu** Custom Wheel Bag **AD16781**
(describe below)

ADDITIONAL NOTES

(you can type here)

Gazelle Junior Script Form

Tennis Sports Wheelchair

Name _____

WHEELS**TYRES****20"****20"**

- Spoked Wheels (std)
- Spinergy Blade Wheels (24 spoke, black spokes only) **AD13317**

- 20" x 1" Smooth High Pressure (std)

22"**22"**

- Spoked Wheels (std)
- Spinergy Blade Wheels (24 spoke, black spokes only) **AD13317**

- 22" x 1" Smooth High Pressure (std)

24"**24"**

- Spoked Wheels (std)
- Spinergy SL Wheels (24 spoke, black spokes only) **AD13410**

- 24" x 1" Kenda Ironcap Blue (std)
- 24" x 1" Schwalbe Right Run **AD13740**

PUSH-RIMS

- Anodised alloy (std) Rubber coated (red) **AD13845** Vinyl coated **AD13830**

PUSH-RIMS - POSITION

- Standard In close Onto rim

SPARE WHEELS as above

- Spoked Wheel 20"/22" **AD13508** (quantity) _____
- Spinergy Blade Wheel 20"/22" **AD13630** (quantity) _____
- Spoked Wheel 24" **AD13507** (quantity) _____
- Spinergy SL Wheel 24" **AD13641** (quantity) _____

TYRES, TUBES and AXLES on SPARE WHEELS

- Tube fitted **AD13695** (quantity) _____
- Smooth High Pressure Tyre 20"/22" **AD13702** (quantity) _____
- Kenda Tyre fitted 24" **AD13701** (quantity) _____
- Schwalbe Tyre fitted 24" **AD13741** (quantity) _____
- Axle 1/2" **AD12508** (quantity) _____

PUSH RIMS for SPARE WHEELS as above

- Push-Rim Anodised **AD13858** (quantity) _____
- Push-Rim Rubber Coated (Red) **AD13846** (quantity) _____
- Push-Rim Vinyl Coated **AD99999** (quantity) _____

EXTRA AXLES

- Axles 1/2" **AD12514** (quantity) _____

EXTRA BEARINGS

- Steel R8 1/2" **AD20405** (quantity) _____
- Ceramic R8 1/2" **AD20407** (quantity) _____

ADDITIONAL NOTES

(you can type here)

Name _____

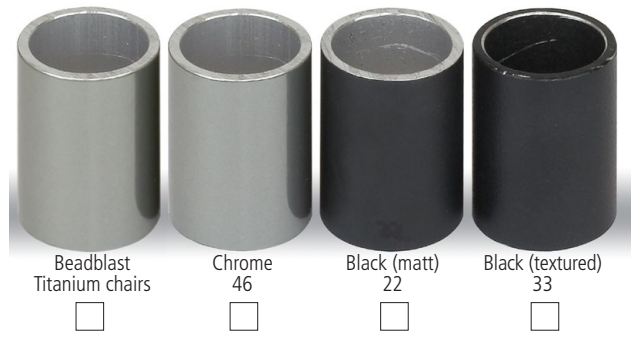
ATTENTION

THIS IS A GUIDE TO COLOURS ONLY, how colours appear on your monitor or when printed out may vary.

Talk to us if you want your Titanium frame coloured or polished.

Colour availability is subject to change without notice.

STANDARD & ENABLE CLIENT COLOURS



GLASS COLOURS



CANDY COLOURS



CANDY COLOURS (SPECIAL)



FLUORESCENT COLOURS

